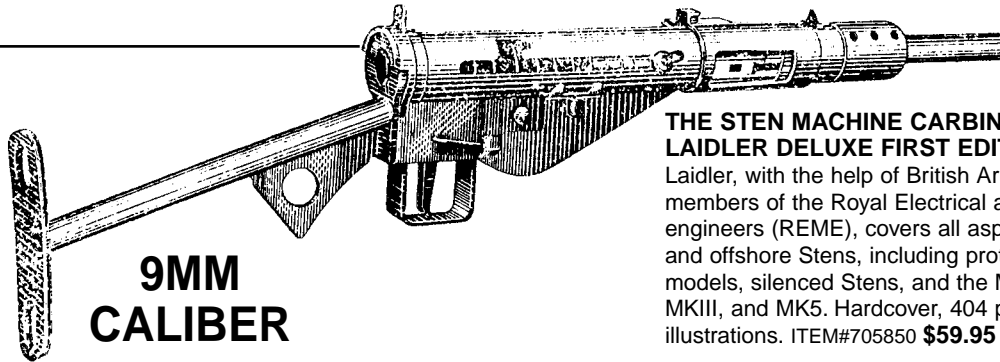


# STEN

# MKI, MKII & MKIII



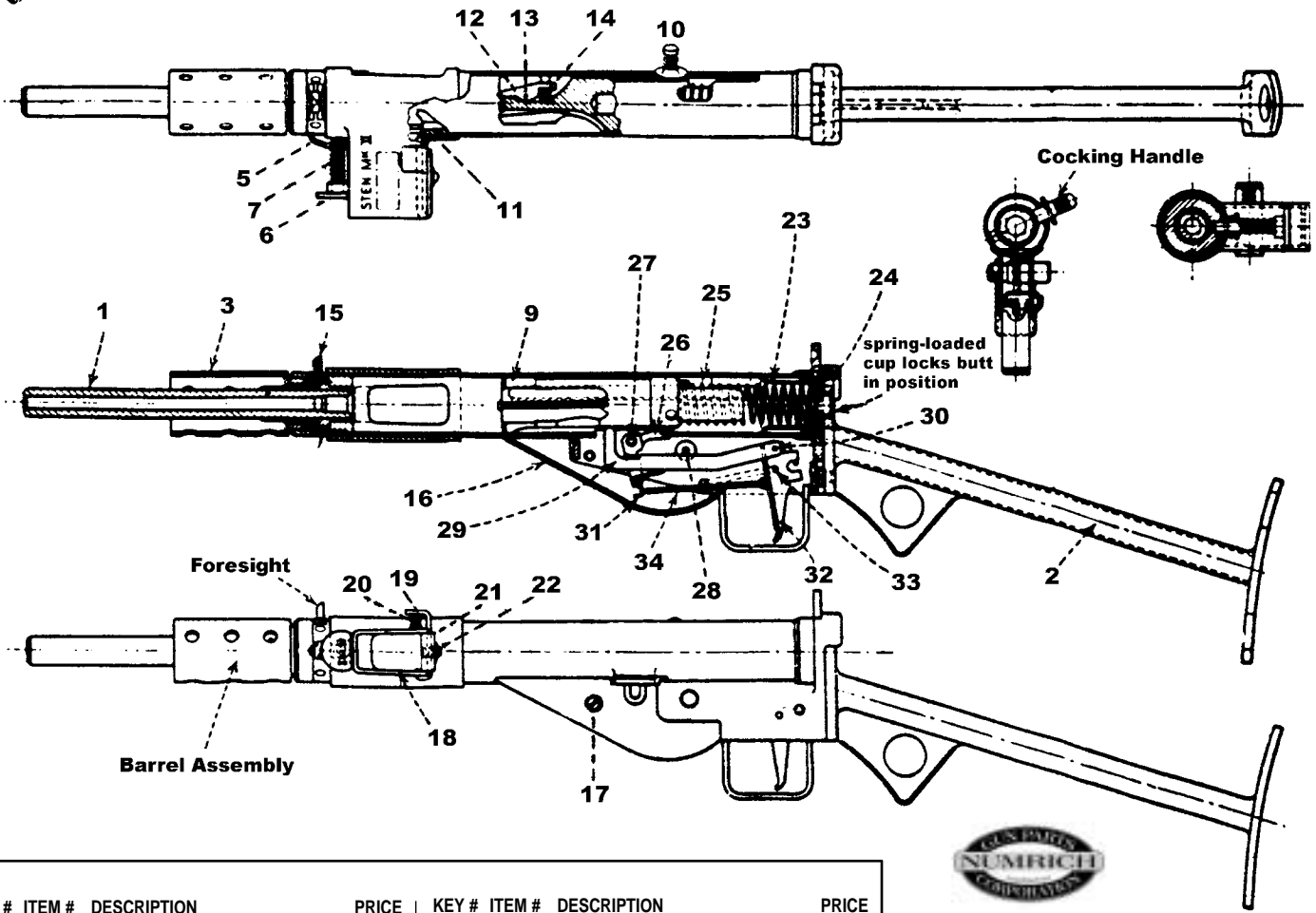
**9MM  
CALIBER**

**THE STEN MACHINE CARBINE BY PETER LAIDLER DELUXE FIRST EDITION, 2000**

Laidler, with the help of British Army armourers and members of the Royal Electrical and Mechanical engineers (REME), covers all aspects of the British and offshore Stens, including prototype and pilot models, silenced Stens, and the MKI, MKI\*, MKII, MKIII, and MK5. Hardcover, 404 pages, 368 illustrations. ITEM#705850 \$59.95



Collector Grade Publications



KEY #	ITEM #	DESCRIPTION	PRICE	KEY #	ITEM #	DESCRIPTION	PRICE
1A	469620	Barrel, 9MM, New Manufactured	\$41.55	12	469800	Extractor	20.75
1B	469630	Barrel, Threaded, 9MM, New Manufactured	46.75	13	469810	Extractor Pin	1.15
1C	469640	Barrel, Original - Fair Condition	19.70*	14	469820	Extractor Spring	1.30
2A	469670	Buttstock, Stamped Type	25.95	15	469830	Foresight	4.70*
2B	469680	Buttstock, T-Type	20.75	16	469840	Cover Trigger Mechanism	13.25
3	469690	Barrel Nut (Sleeve)	15.10*	17	469850	Cover Trigger Mechanism Screw With Washer (2 Req'd)	1.80ea
4	469700	Barrel Fixing Pin, NI	1.50	-	470050	Magazine, 32 Round	14.95
5	469710	Barrel Nut Catch	3.65*	-	470060	Magazine, 20 Round	12.95
6	469720	Magazine Housing Plunger	3.95*	18	469860	Magazine Housing	15.55*
7	469730	Magazine Housing Plunger Spring	1.55	19	469870	Magazine Catch	3.95*
8	469740	Magazine Housing Plunger Split Pin, NI	1.15	20	469880	Magazine Catch Spring	1.30*
9A	469750	Bolt, Stripped	25.95	21	469890	Magazine Catch Retainer	3.65*
9B	469760	Bolt, Complete	41.55	22	469900	Magazine Catch Retainer Screw With Washer	1.80*
10	469770	Bolt Handle	7.80	23	469910	Return Spring Housing	4.70
11	469780	Ejector	14.95				

KEY #	ITEM #	DESCRIPTION	PRICE
24	469920	Return Spring Cap	5.70
25	469930	Return Spring	4.70
26	469940	Sear	8.85*
27	469950	Sear Pin	1.15
28	469960	Selector (Change Lever)	3.65
29	469970	Tripping Lever	3.65
30	469980	Tripping Lever Pin	1.15
31	469990	Tripping Lever Pawl	3.95
32	470000	Trigger	6.75
33	470010	Trigger Pin	1.15
34	470020	Trigger Spring	3.10*
35	470030	Change Lever Split Pins (2 Req'd), NI	1.15ea
36	470040	Receiver Bushing, Front, NI	12.75*

NI = NOT ILLUSTRATED \* = PART IS IN LIMITED QUANTITY. PLACE THE ITEM OR ITEMS ON ORDER, AND WE WILL SHIP THEM IF AVAILABLE.

# STEN MKI, MKII & MKIII ACCESSORIES

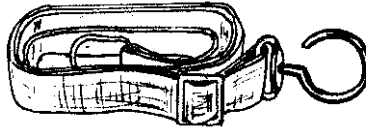
## BARRELS FOR STEN MKII



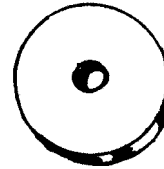
Newly-manufactured 9mm barrels. Fully-finished and blued.  
Standard barrel, 7-5/8" - ITEM#469620 **\$41.55**  
Threaded barrel for MAC 10 suppressor, 6-1/4" - ITEM#469630 **\$46.75**

## BRITISH STEN GUN SLING

Original, military surplus 5/8" olive drab canvas sling in used, very good condition.



Includes brass buckle and hardware (51" OAL). Fits the Sten MKI, II, III, IV and V. ITEM#704420 **\$5.95**



## RECOIL BUFFERS FOR STEN GUNS MK II - MK III - MK V

Replacement black rubber buffer reduces felt recoil, action noise and controls muzzle climb. Stops metal-to-metal contact and wear which occurs when the rear of the bolt hits the return spring housing cup and return spring cap. Newly-manufactured, instructions included. - ITEM#701780 **\$5.95**

## BRITISH MILITARY MAGAZINE POUCH



Original British manufactured, will hold five Sten magazines or two Bren. Olive drab canvas with original markings. Brass belt hooks, strap hook and buckle and loop closure. 9-1/2" x 4-1/2" x 2-5/8". ITEM#312360 **\$4.10**

## WE BUY PARTS



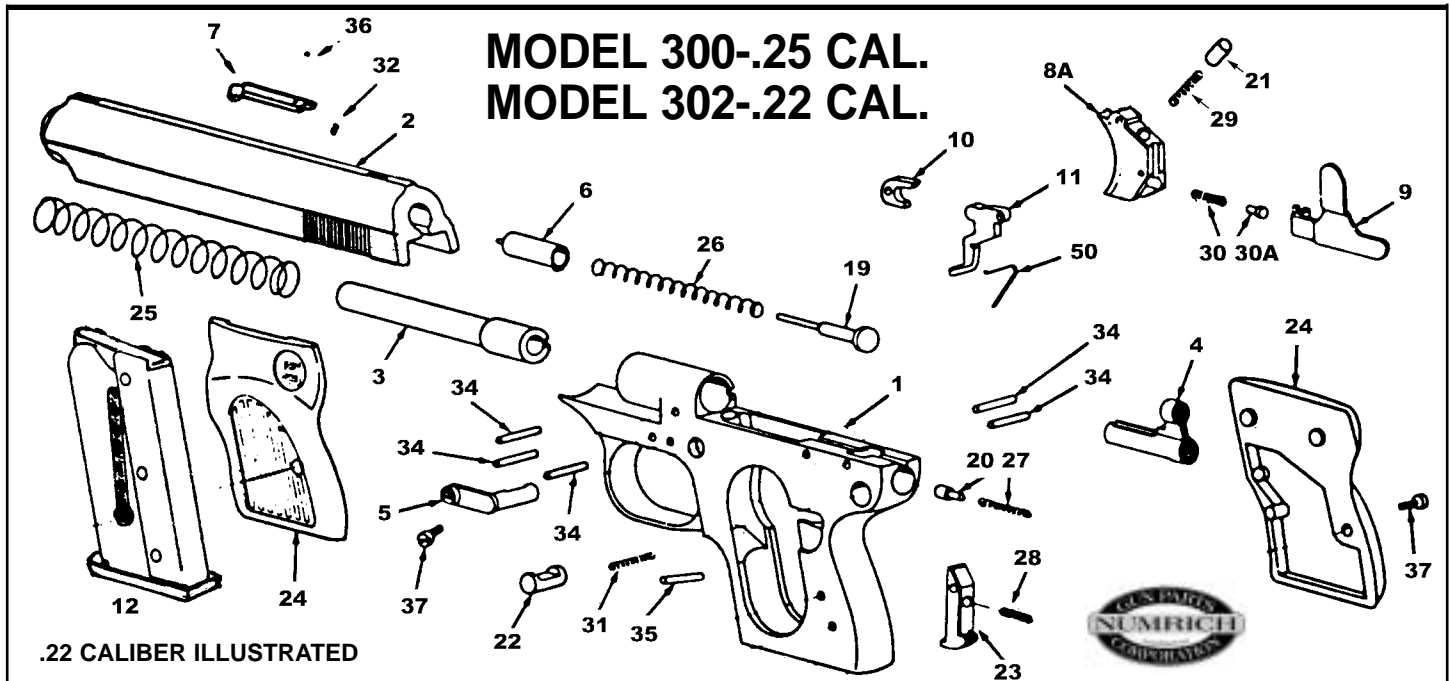
## 9MM STEN MKI BARREL



Original WWII production. Used, very good condition. Fully-finished and blued. 7-5/8" long. ITEM#595560 **\$41.55**

# STERLING

# MODELS 300 & 302



MODEL 300-.25 CAL.  
MODEL 302-.22 CAL.

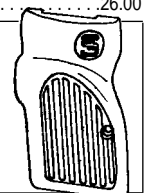
.22 CALIBER ILLUSTRATED

NOTE: Pistols in .25 cal came in old and new styles while .22 Cal Models are mostly new style only. Generally old style slides had grasping grooves composed of many fine serrations. Later model slides had 8 coarse bars for this purpose. Old style models usually used firing pins of .240 OD and new style were .275.

KEY #	ITEM #	DESCRIPTION	PRICE	KEY #	ITEM #	DESCRIPTION	PRICE	KEY #	ITEM #	DESCRIPTION	PRICE
1	471440	Receiver (FFL Req'd)	.39.95*	23	501810	Magazine Retainer And Spring	.7.25	50	502380	Sear Spring	.2.85
2	471460	Slide (See Note) (Specify Cal.)	.31.15	24	501850	Grips, Black	.13.45/pr	PART UNIQUE TO 300 MODEL			
3	471490	Barrel (Specify Caliber)	.20.75	25	501880	Barrel Spring (Specify Caliber)	.4.95	-	193510	Magazine, .25 Cal., 7 Round, Blue, Original	.26.00
4	471510	Hammer (See Note)	.11.95	26	501910	Firing Pin Spring	.3.45	PART UNIQUE TO 302 MODEL			
5	471520	Safety	.9.30	27	501940	Sear Plunger Spring	.1.15	12	501640	Magazine Assembly, .22 Cal., 6 Round, Blue, Replacement	.26.00
6	471550	Firing Pin (See Note) (Specify Caliber)	.13.45	28	501950	Magazine Retainer Spring	.1.15				
7	471580	Extractor (Specify Caliber)	.7.00	29	501980	Safety Spring	.1.15				
8A	471600	Trigger	.10.35	30 & 30A	502020	Trigger Bar Plunger And Spring Assembly	.3.40				
9	471640	Trigger Bar, New Style	.7.80	31	502140	Disconnect Button Spring	.1.15				
10	471650	Sear	.6.20	32	502180	Extractor Spring (Specify Caliber)	.1.15				
11	501570	Sear Cam	.6.20	34	502220	Dowel Pin	.1.15				
19	501660	Firing Pin Spring Follower (Specify Caliber)	.3.40	35	502260	Magazine Retainer Pin	.1.15				
20	501730	Sear Plunger And Spring	.3.40	36	502330	Extractor Pin	.1.15				
21	501750	Safety Plunger And Spring	.3.40	37	502340	Grip Screw (2 Req'd)	.1.80ea				
22	501780	Disconnect Button	.4.95								

## STERLING MODEL 300 AND 302 PISTOL GRIPS

Newly-manufactured black plastic grips with logo medallion. ITEM#501850 **\$13.45**



NI = NOT ILLUSTRATED \* = PART IS IN LIMITED QUANTITY. PLACE THE ITEM OR ITEMS ON ORDER, AND WE WILL SHIP THEM IF AVAILABLE.

DOWNLOADED FROM [HTTP://WWW.E-GUNPARTS.COM](http://www.e-gunparts.com). FOR INDIVIDUAL USE ONLY. DO NOT REPRODUCE, COPY OR DISTRIBUTE WITHOUT EXPRESS WRITTEN CONSENT. ORDERS (845) 679-2417 CUST. SVC. (845) 679-4867 WEBSITE: E-GUNPARTS.COM E-MAIL: INFO@GUNPARTSCORP.COM TOLL FREE FAX: (877) 486-7278 226 WILLIAMS LN., WEST HURLEY, NY 12491 9/01-PRICES SUBJECT TO CHANGE WITHOUT NOTICE